

DRAINVAC®



40
yrs

CLEAR

RESIDENTIAL

CENTRAL VACUUMS



PERFORMANCE • RELIABILITY • HIGH-END PRODUCTS • EASY MAINTENANCE • QUIET

CLEAR

RELIABLE, POWERFUL, VERSATILE. **40 YEARS** OF EXPERTISE MADE IN CANADA

40 years ago, we started designing products to meet the stringent requirements of the commercial and industrial sectors. The application of our technologies for domestic use is your guarantee of satisfaction for years to come. The proven performance and reliability of our systems are recognized worldwide.

We **clean**
up good!



The Drainvac Method



- 1** Specialized, user-friendly tools such as the VacReel, the Vacpan, Wallyflex and Retraflex system can be strategically installed throughout the building making all household chores easier.
- 2** There is nothing to carry, thus avoiding accidents that can lead to back pain.
- 3** With the unit installed far away, the noise is greatly reduced.

Drainvac offers a large range of products to meet your cleaning needs: **with compact or large-capacity units, with or without a bag, conventional or designed to pick up liquids.**

We also offer a wide range of tools and accessories: **turbo brushes, floor brushes for any kind of surface, animal brushes and much more!** For a complete list, please visit our website: **www.drainvac.in**





The Drainvac Difference

At a time when nothing seems to be built to last, we are proud to be the exception to the rule.

Innovative Products

Drainvac designed and developed the first vacuum cleaning system with a patented automatic drain: the "Automatik" model. It works without a dust bag, nor a filter and the canister never needs to be emptied since the vacuumed materials are evacuated in the sanitary drain. It is virtually maintenance-free and also picks up liquids!

Reliability

It sometimes takes 30 years before certain customers come back to us to replace their unit.

Quiet Operation

Units are equipped with soundproof canisters that emit only 58 decibels (comparable to a conversation) and air outlets with mufflers: all innovations that decrease noise pollution.

Time Saving

A fast and efficient service combined with units so powerful that you don't have to clean the same place twice: Drainvac saves you time.

Improved Air Quality

HEPA Filter

The exhaust-filter Activac 3 is an HEPA filtration system (*High Efficiency Particulate Air*) which can **clean 99.7% of airborne particles in a single passage.**

The Activac 3 is also equipped with an activated charcoal membrane to reduce bad odours.



SADIE SERIES

FOR LARGE SURFACES



Vacuum solids



Operates with a bag



Permanent filter



Silent



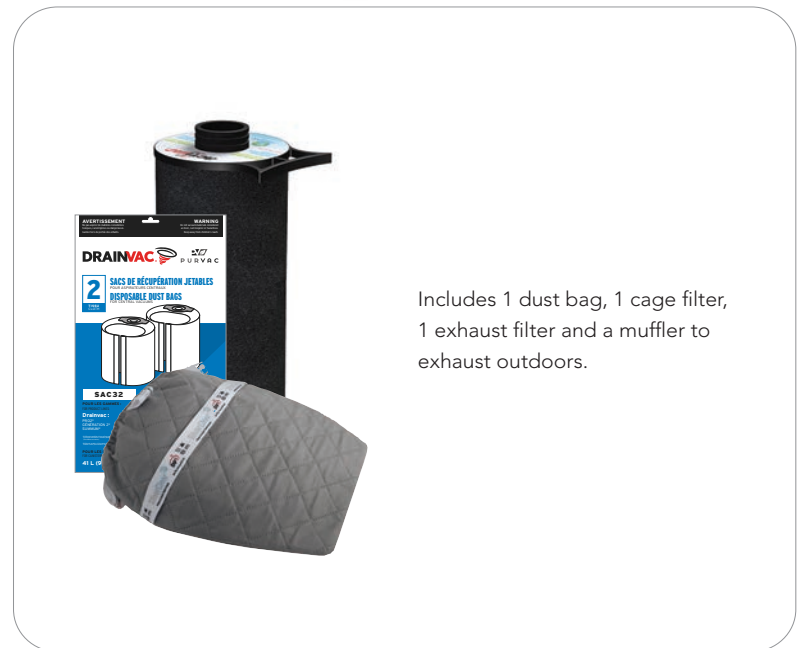
Large capacity



790 m²



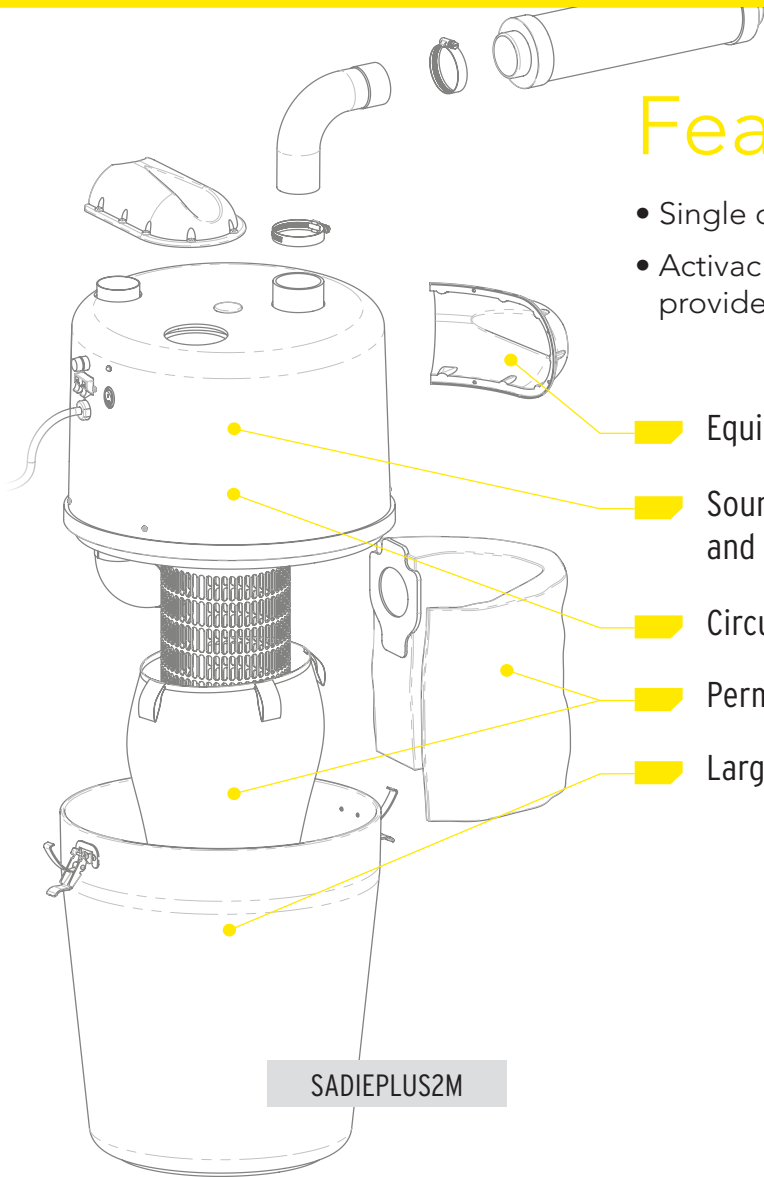
MODEL	SADIE007	SADIEPLUS2M
POWER	700 AW	2 x 520 AW
WATERLIFT	3880 mmH ₂ O	4318 mmH ₂ O
AIRFLOW	315 m ³ /h	271 m ³ /h
NOISE LEVEL	58 dB	72 dB
VOLTAGE	220V - 240V	
QTY. OF MOTORS	1	2
CAPACITY	41 L	41 L
HEIGHT	70 cm	70 cm
DIAMETER	38 cm	38 cm



Includes 1 dust bag, 1 cage filter, 1 exhaust filter and a muffler to exhaust outdoors.

Features

- Single or double motor models.
- Activac 3 exhaust filter and muffler for outdoor exhaust provided with the unit.



Equipped with **AudioProteks** to reduce high frequencies.

Soundproof casing made of polypropylene, resistant to impacts and lifetime warrantied. Made in Canada.

Circuit board made in Canada.

Permanent **SMS** filter and dust bag included.

Large capacity tank.



CYCLON SERIES

HYBRID SYSTEM



Vacuums
solids



Vacuums
liquids



Permanent
filter



Silent



Operates
without a bag



Large
capacity



880 m²

MODEL	CYCLONE2M
POWER	2 x 355 AW
WATERLIFT	4191 mmH ₂ O
AIRFLOW	198 m ³ /h
NOISE LEVEL	70 dB
VOLTAGE	220 - 240 V
QTY. OF MOTORS	2
CAPACITY	46 L
HEIGHT	95 cm
DIAMETER	38 cm



Features

- Vacuums dry materials and small quantities of liquids only, up to 16 L.*
- Vacuums with cyclonic effect and maintains a constant and optimal suction power.
- Outdoor exhaust required.
- Cannot be paired with an auxiliary head. Available only for commercial models

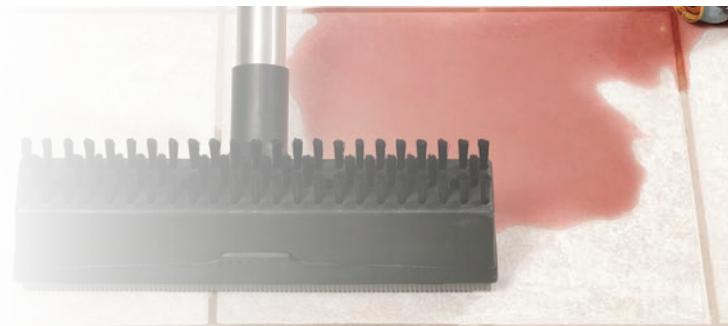
■ Equipped with **AudioProteks** to reduce high frequencies.

■ Soundproof casing made of polypropylene, resistant to impacts and lifetime warrantied. Made in Canada.

■ Circuit board made in Canada.

■ No bag needed. Empty and clean the canister when necessary.

CYCLONE2M



MASTER SERIES

SELF-FLUSHING SYSTEM



Vacuums solids



Vacuums liquids



Silent



Operates without a bag



Easy maintenance



Large capacity



1,860 m²

MODEL	MAS180	MASPLUS2M
POWER	2.4 HP	2 x 355 AW
WATERLIFT	3700 mmH ₂ O	4191 mmH ₂ O
AIRFLOW	212 m ³ /h	198 m ³ /h
NOISE LEVEL	66 dB	70 dB
VOLTAGE	220V - 240V	220V - 240V
QTY. OF MOTORS	1	2
CAPACITY	24 L	29 L
HEIGHT	102 cm	165 cm
DIAMETER	30.5 cm	38 cm

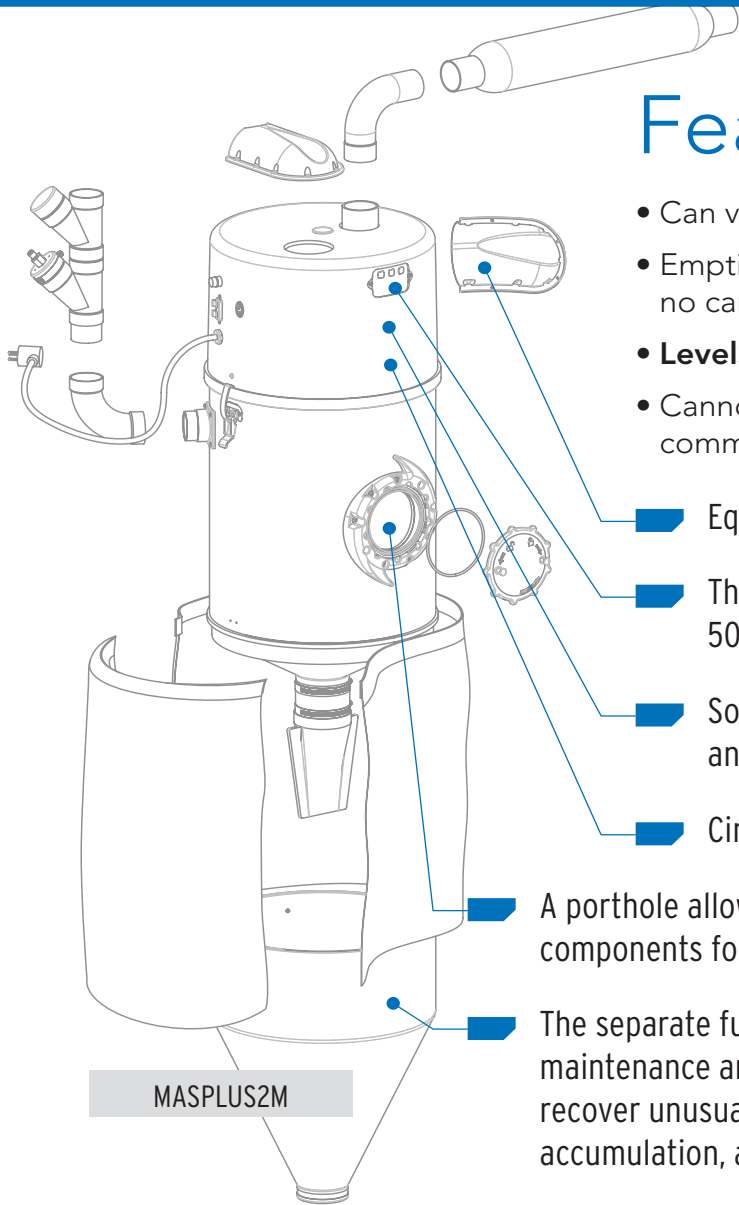


The Master series does not need any bag or filter and evacuates its air outdoors.

Water is propelled into the unit's air inlet and just like the toilet, the unit empties itself directly into the drain.



Features



- Can vacuum dry materials and large quantities of liquids.
- Empties itself directly into the drain: no bag to replace, no canister to empty; everything is automated.
- **LevelSMART**: stops and empties the unit when it is full.
- Cannot be paired with an auxiliary head. Available only for commercial models

■ Equipped with **AudioProteks** to reduce high frequencies.

■ The membrane adjusts the draining time of the unit, indicates the 500-hour count for a service maintenance and has an on/off switch.

■ Soundproof casing made of polypropylene, resistant to impacts and lifetime warranted. Made in Canada.

■ Circuit board made in Canada.

■ A porthole allows you to reach internal components for maintenance.

■ The separate funnel facilitates maintenance and allows you to recover unusual materials, hair accumulation, animal fur, etc.



THE ESSENTIALS FOR YOUR SYSTEM



Disposable 2-ply paper dust bags or 3-ply cloth dust bags



SMS filter



Foam and cartridge filter



Activac 3 exhaust filter with active carbon

ENHANCE YOUR CLEANING EXPERIENCE WITH OUR SPECIALIZED TOOLS & ACCESSORIES



Vacpan/CanSweep

Available in white, beige, silver, grey and black.



Wallyflex

Available in white and black.



Vroom - Retractable Hose

(5.5 / 7.3 mtr)



Retraflex System

Available in White and Black



FLOOR & CARPET TOOLS



SQUEEGEE BRUSH ON WHEELS



REVERSIBLE BRUSH AND SQUEEGEE



FLOOR BRUSH 10' WITH WHEELS / HORSE HAIR BRISTLES



FLOOR BRUSH 10' WITHOUT WHEELS NYLON BRISTLES



CARPET BRUSH



REGULAR AIR DRIVEN BRUSH



FLOOR BRUSH 12' WITH WHEELS (HORSE HAIR BRISTLES)



WET CLEANING TOOLS



CARPET TOOL



STAINLESS STEEL UPHOLSTERY TOOL



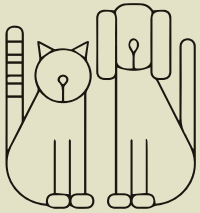
VAC & GLO MOP BRUSH



MOP BRUSH (GREY & BLUE)



CAR WASH TOOL



FOR YOUR
PET NEEDS



DELICATE
DUST
BRUSH



NYLON
FIBRE
BRUSH
FOR
ANIMALS



OTHER
TOOLS



COMBO
UPHOLSTERY
& DUSTING
BRUSH



SMALL
UPHOLSTERY
BRUSH



ROUND
DUSTING
BRUSH



PLASTIC
CREVICE
TOOL

30" WIFI
HOSE &
HANDLER



30' Wifi Hose & Wifi
Handler

30"
WATER
INJECTION
HOSE &
ACCESSORY
KIT



With hose hanger and
upholstery tool

WIFI
SYSTEM
SECURITY
VALVE



Standard
Accessory Kits



- 30' / 40' Hose with Button lock,
- 4 Utility Tools, Accessory hanger,
- Stainless Steel telescopic wand with button lock
- Crevice tool, and Metal Hose Hanger

INLETS TO MATCH AESTHETICALLY

ANIMATO INLETS



BLUE



RED



BRICK



GRES



BEIGE



WHITE



DARK RED



ICE



ALUMINIUM



YELLOW



PEARL



ORANGE



GREEN

LUXURY INLETS



MAHOGANY



WALNUT



CRYSTAL



GOLD



TITANIUM



INOX



CHERRY TREE



BEECH WOOD



ALUMINIUM



GRANITE

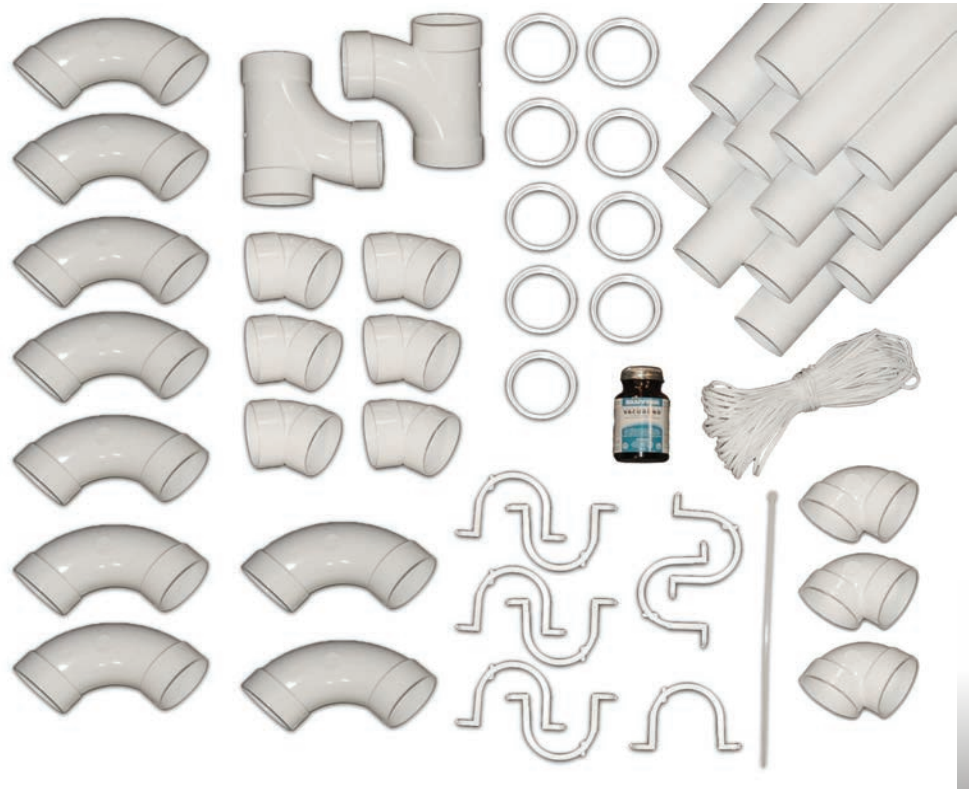


NICKEL



CHROME

PVC PIPES AND FITTINGS





www.drainvac.in

Connect with our partners

- 📍 Ahmedabad
- 📍 Amritsar
- 📍 Bangalore
- 📍 Belgavi
- 📍 Bhubaneshwar
- 📍 Bhopal
- 📍 Calicut
- 📍 Chennai
- 📍 Cochin/Kochi
- 📍 Coimbatore
- 📍 Delhi
- 📍 Gwalior
- 📍 Ghaziabad
- 📍 Guwahati
- 📍 Hyderabad
- 📍 Indore
- 📍 Jaipur
- 📍 Jalandhar
- 📍 Kashmir
- 📍 Kolkata
- 📍 Lucknow
- 📍 Mangalore
- 📍 Merut
- 📍 Mohali
- 📍 Mumbai
- 📍 Mysore
- 📍 Nasik
- 📍 Nellore
- 📍 Pune
- 📍 Raipur
- 📍 Ranchi
- 📍 Rajkot
- 📍 Salem
- 📍 Shivamogga
- 📍 Siliguri
- 📍 Sonipat
- 📍 Surat
- 📍 Tirupati
- 📍 Trivendrum
- 📍 Ujjain
- 📍 Vadodara
- 📍 Vijayawada
- 📍 Visakhapatnam

DISCOVER OUR COMPLETE RESIDENTIAL RANGE



CLEAR

2nd Floor The Network, Rd# 9 Jubilee Hills
Besides TV5 News Office Lane
Hyderabad 500033. Telangana. India.

www.clear.in

sales@clear.in

+91 98480 34491

